

Sensor Valve Combo Unit



General Specifications:

Zone valve boxes shall be an Amico Alert-1 series.

Each recessed zone valve box shall consist of the following components: A steel valve box which can house one to seven shut-off ball valves with tube extensions, an aluminum frame and a pull-out removable window. Gauge options are 100 psi, 300 psi or 30 inHg. Terminal strips are provided with the box. The sensors and DISS fittings are gas specific, and provided with the alarm.

The valve box shall be constructed of 18 gauge steel, complete with a baked white enamel finish. Affixed to the opposite sides of the box will be two adjustable steel brackets for the purpose of mounting the box to the structural support. The steel brackets shall accommodate various finished wall thicknesses between $\frac{3}{8}$ " (9.5 mm) and $1\text{-}\frac{3}{16}$ " (30 mm) and shall be field adjustable.

The frame assembly shall be constructed of anodized aluminum and shall be mounted to the back box assembly by standard #6 * $\frac{3}{8}$ " tapping screws provided. The removable front shall consist of an opaque window with a pull-out ring pre-mounted to the center of the window.

Access to the zone shut-off valves shall be by merely pulling the ring assembly to remove the window from the frame. The window can be reinstalled without the use of tools only after the valve handles have been returned to the open position.

The window shall be marked to prohibit unauthorized persons from tampering with the valves with the following silk-screen caution:

"MEDICAL GAS CONTROL VALVES. CLOSE ONLY IN EMERGENCY"

The valve shall be a 3 piece, ball-type design with a brass forging body and a chrome plated brass ball for sizes $\frac{1}{2}$ " to 2". Seats shall be reinforced Teflon (PTFE) with Viton seals for $\frac{1}{2}$ "-2". A blow-out proof stem shall be used and the valve shall have a maximum pressure rating of 600 psi (4,137 kPa).

Valves shall be operated by a lever-type handle requiring only a quarter turn from a fully open position to a fully closed position.

All valves shall be equipped with type "K" washed and degreased copper pipe stub extensions of sufficient length to protrude beyond the sides of the box.

All pipe stub extensions shall be supplied with suitable plugs or caps to prevent contamination of the assembly prior to installation. The pipe stub extension (long) shall have dual gauge ports. One $\frac{1}{8}$ " NPT elbow shall be provided per valve.

Each valve shall be supplied with an identification bracket which shall be bolted directly onto the valve box for the purpose of applying an approved medical gas identification label. A package of labels shall be supplied with each valve box assembly for application by the installer.

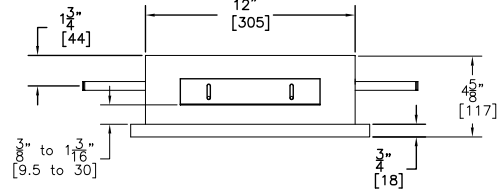
Amico products comply with NFPA 99 and CSA Z7396.1.

Project

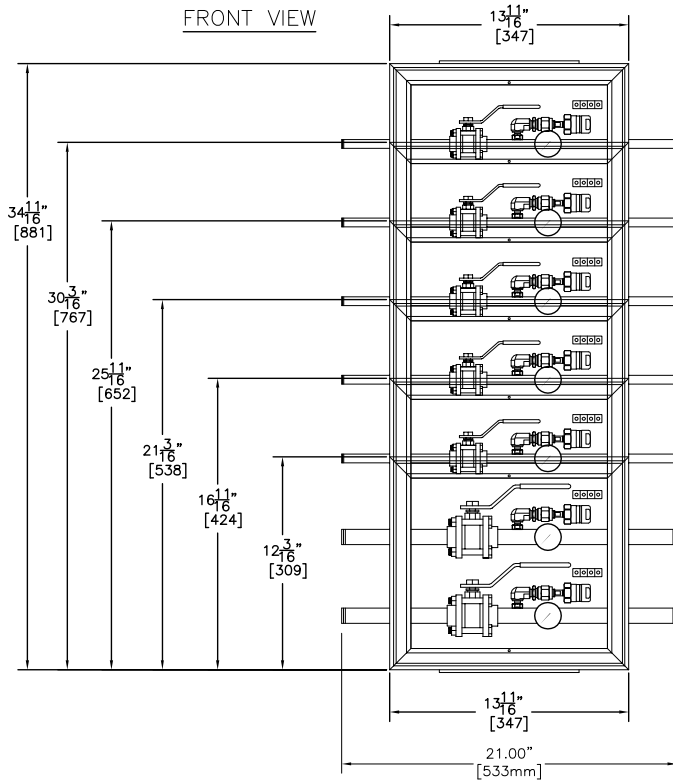
Technical Specifications

For 1/2" to 1-1/2" valve box assembly

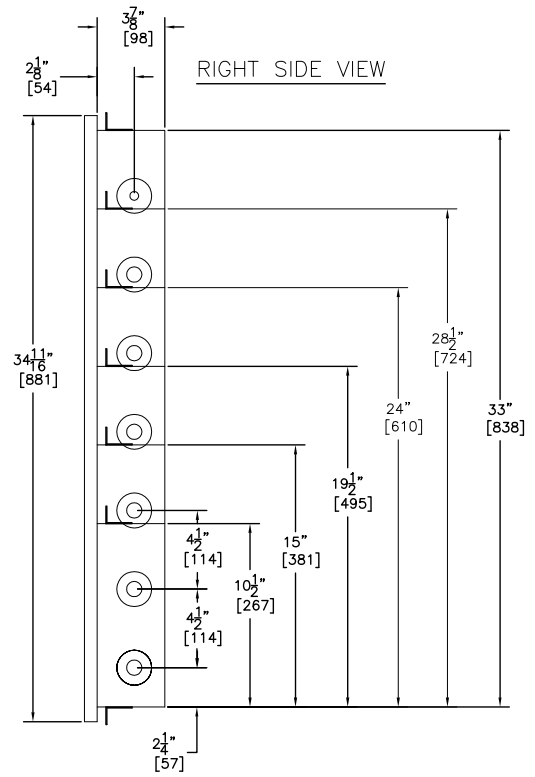
TOP VIEW



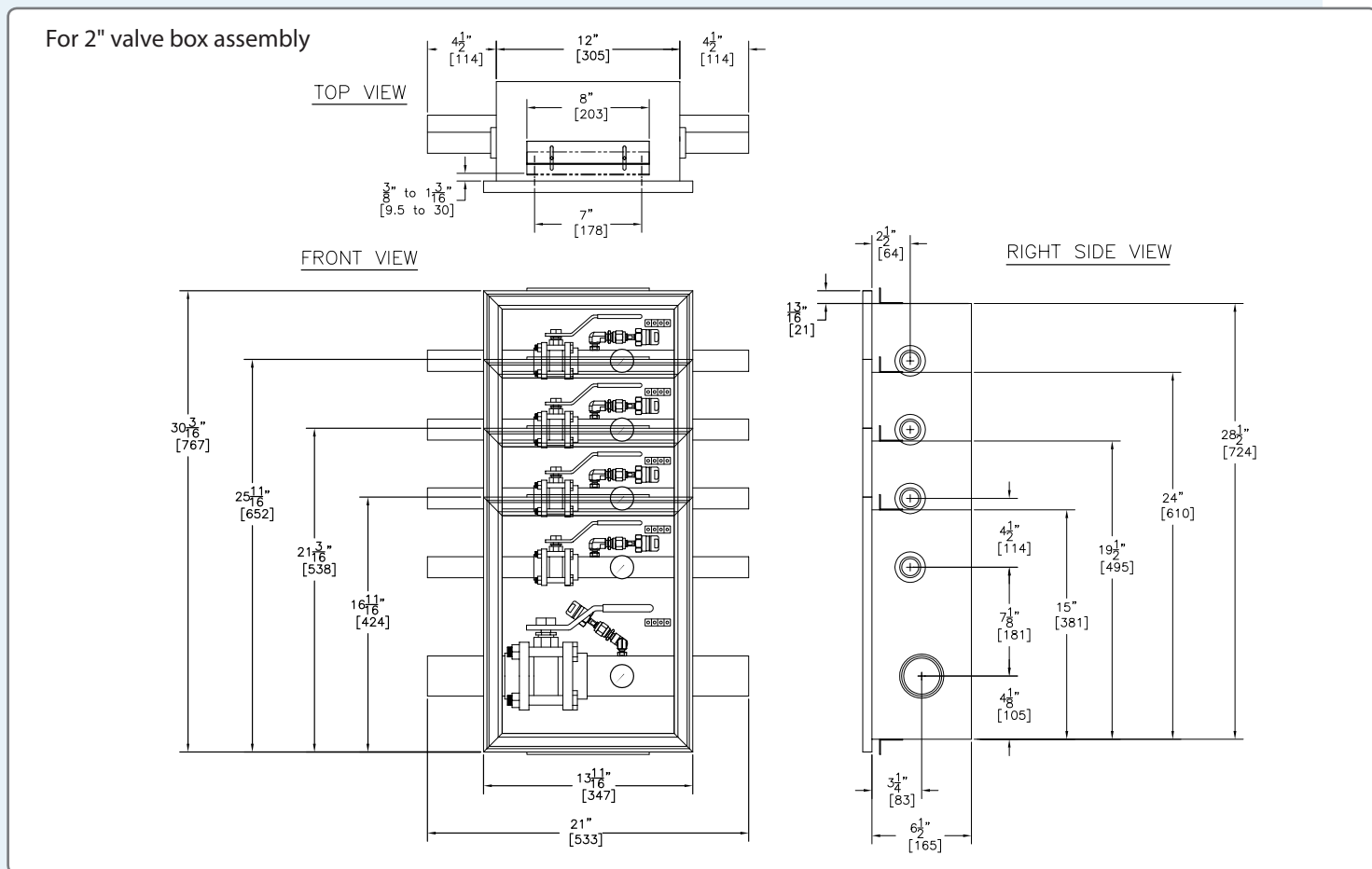
FRONT VIEW



RIGHT SIDE VIEW



Technical Specifications



Model Numbers

VBL-PXXXX

Available Gauges:

- V-X-GAUGE-100
- V-X-GAUGE-300
- V-X-GAUGE-VAC

The Letter "L" Defines the Language:

- U = English (NFPA)
- E = English (CSA/ISO)
- S = Spanish (NFPA)
- F = French (CSA/ISO)

Replace "XX" with the Valve Size Required:

1/2"	= 05
3/4"	= 07
1"	= 10
1-1/4"	= 12
1-1/2"	= 15
2"	= 20 F

A2X-AVC-ELBOW

1/8" NPT street elbow, used between sensor DISS fittings and shut off valve is included, but not attached to the valve.

NOTE:

Terminal strips are provided and installed, DISS demand checks and sensors are provided with alarm.

The 1-1/2" valve will require an empty space above the valve.

Example: A box with 1/2", 3/4" and 1-1/2" will require a 4 hole box not a 3 hole box.

The 2" valve will be assembled in a 6-1/2" deep box and shall accommodate a maximum of up to 5 gases. The 2" valve shall be positioned on the bottom of the assembly. Refer to 2" Valve Box Assembly drawing above.

The height measurements of the 6-1/2" valve box are the same as the 3-7/8" valve box. When comparing height measurements, consider the gap above the 2" valve.

Example: A valve box with 2", 3/4" and a 1/2" would be in a 3 gang 6-1/2" box, which would be the same height as the 4 gang 3-7/8" box.